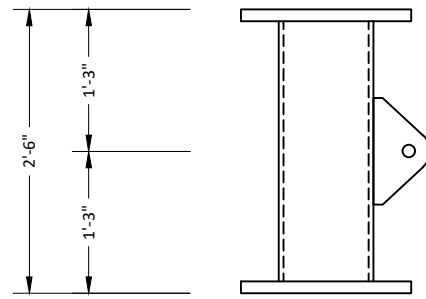
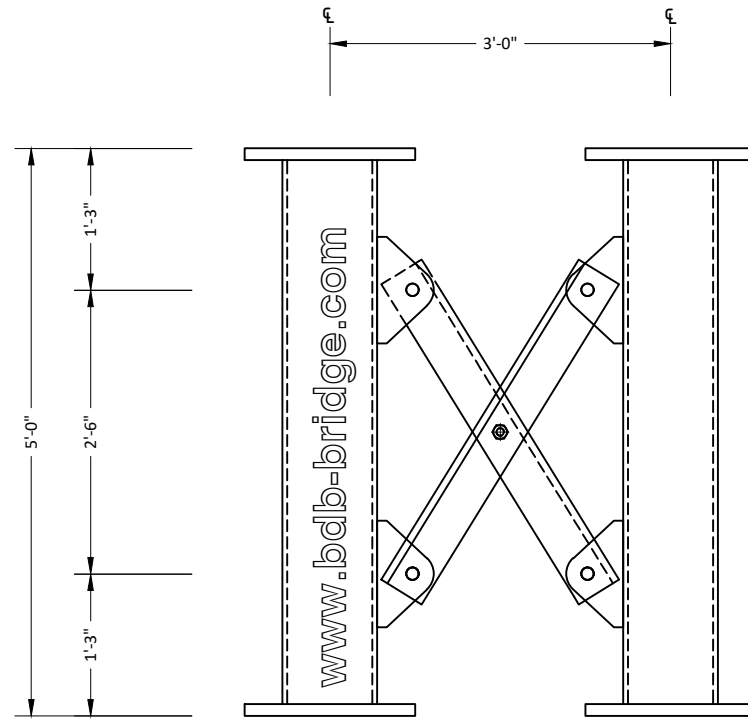


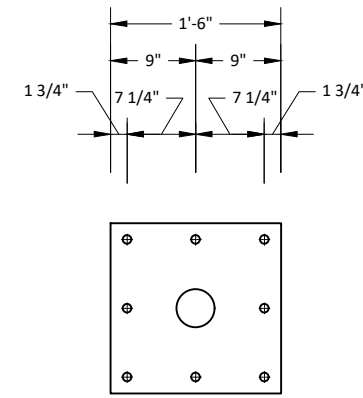
**10'-0" STATIC 1000 TOWER
ELEVATION**
(1 1/4"=1'-0")



**2'-6" STATIC 1000 TOWER
ELEVATION**
(1 1/4"=1'-0")

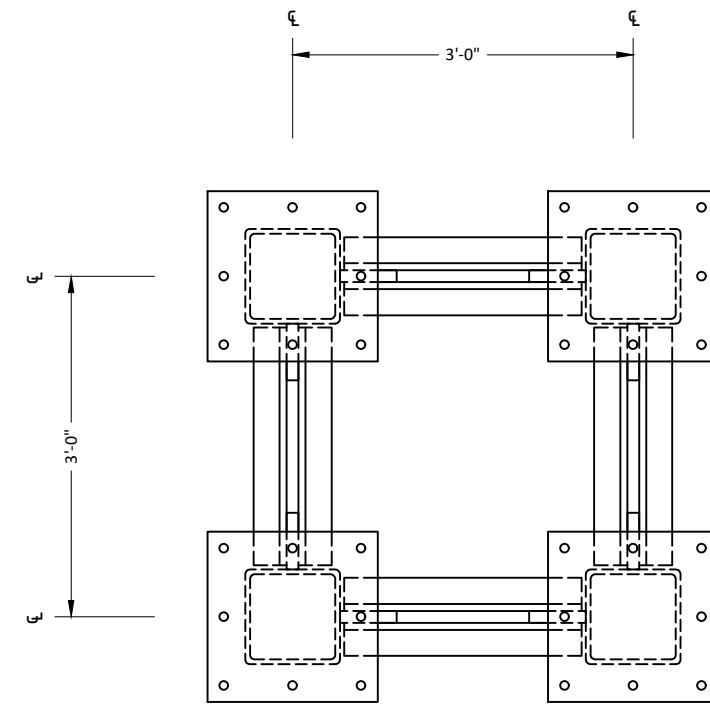


**5'-0" STATIC 1000 TOWER
ELEVATION**
(1 1/4"=1'-0")

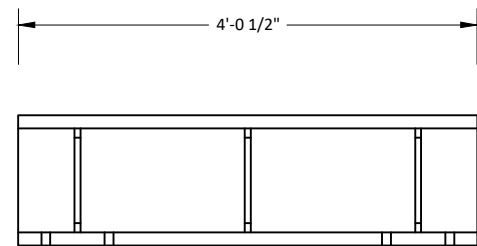


TOP & BOTTOM PLATE - TYPICAL
(1 1/4"=1'-0")

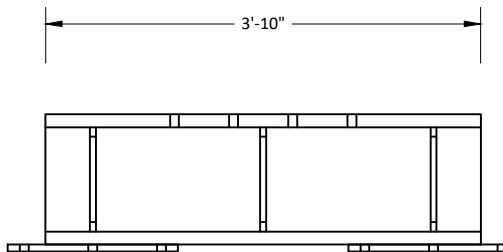
NOTES:
 1. DIMENSIONS TYPICAL ALL SIDES
 2. ALL TOWER MODULES AND HEADERS SHOWN ARE MANUFACTURED BY:
 BDB BRIDGE LLC
 587 GREMAR RD.
 NAZARETH, PA 18064
 TELE: (470) 236-9464
 www.bdb-bridge.com



**STATIC 1000 TOWER
PLAN VIEW - TYPICAL**
(1 1/4"=1'-0")

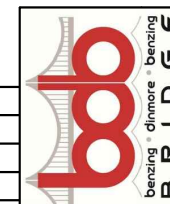


PRIMARY HEADER - W12x152
(1 1/4"=1'-0")



SECONDARY HEADER - W12x152
(1 1/4"=1'-0")

REV	DESCRIPTION	BY	DATE



BDB BRIDGE LLC
STATIC 1000 TOWER

DWG NO:	JOB NO:	CONTRACT:	DWG DATE:	STRUCTURE:
SCALE:	CONTRACTOR:	REV	DWG NO:	