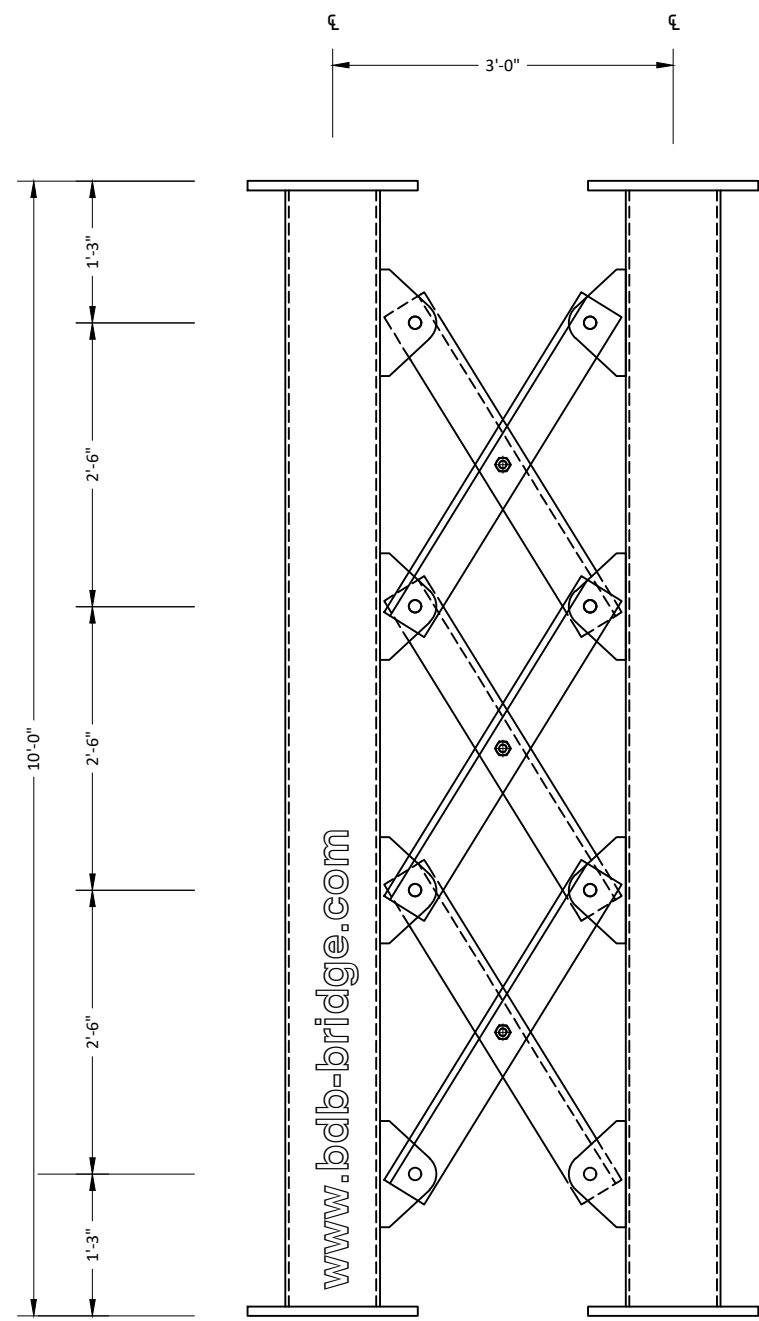
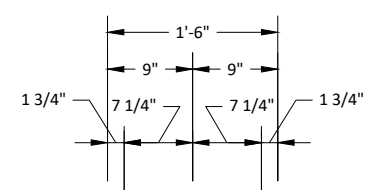


- NOTES:**
1. DIMENSIONS TYPICAL ALL SIDES
 2. ALL TOWER MODULES AND HEADERS SHOWN ARE MANUFACTURED BY:

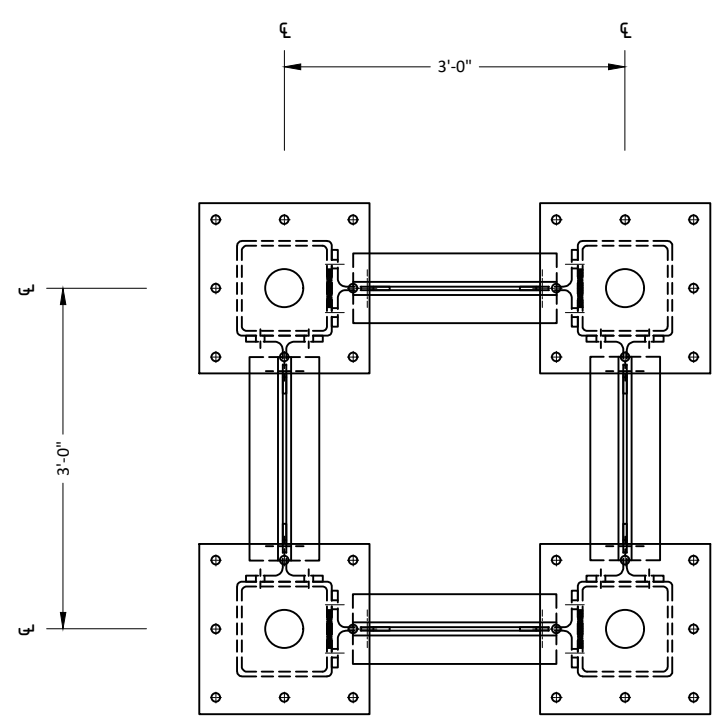
BDB BRIDGE LLC
 587 GREMAR RD.
 NAZARETH, PA 18064
 TELE: (470) 236-9464
 www.bdb-bridge.com



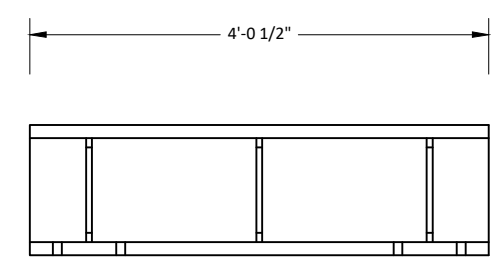
**10'-0" STATIC 800 TOWER
 ELEVATION**
 (1 1/4"=1'-0")



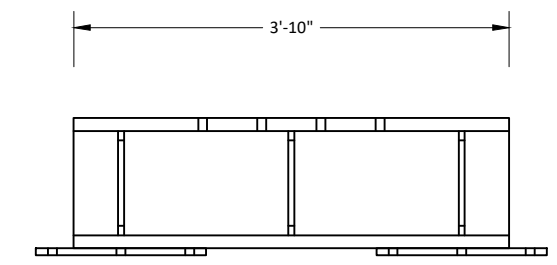
TOP & BOTTOM PLATE - TYPICAL
 (1 1/4"=1'-0")



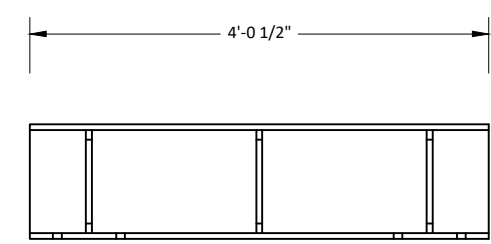
**STATIC 800 TOWER
 PLAN VIEW - TYPICAL**
 (1 1/4"=1'-0")



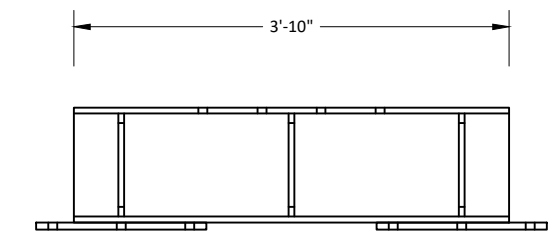
PRIMARY HEADER - W12x152
 (1 1/4"=1'-0")



SECONDARY HEADER - W12x152
 (1 1/4"=1'-0")

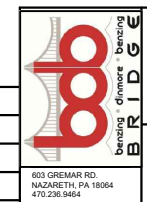


PRIMARY HEADER - HP12x74
 (1 1/4"=1'-0")



SECONDARY HEADER - HP12x74
 (1 1/4"=1'-0")

REV	DESCRIPTION	BY	DATE
REVISIONS			



603 GREMAR RD.
 NAZARETH, PA 18064
 470.236.9464

BDB BRIDGE LLC
STATIC 800 TOWER

DWG NO:	JOB NO:	CONTRACT:	DWG DATE:	STRUCTURE:
SCALE:	CONTRACTOR:	REV:	DWG NO:	