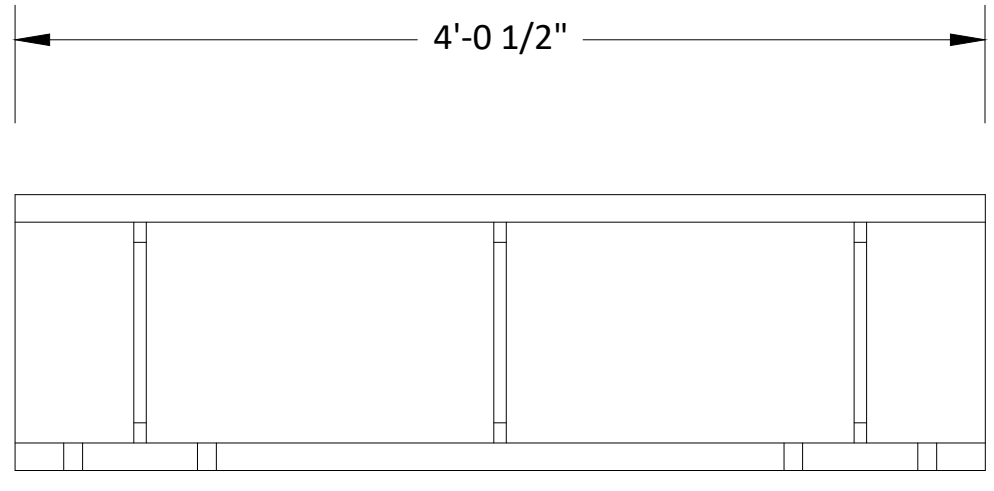
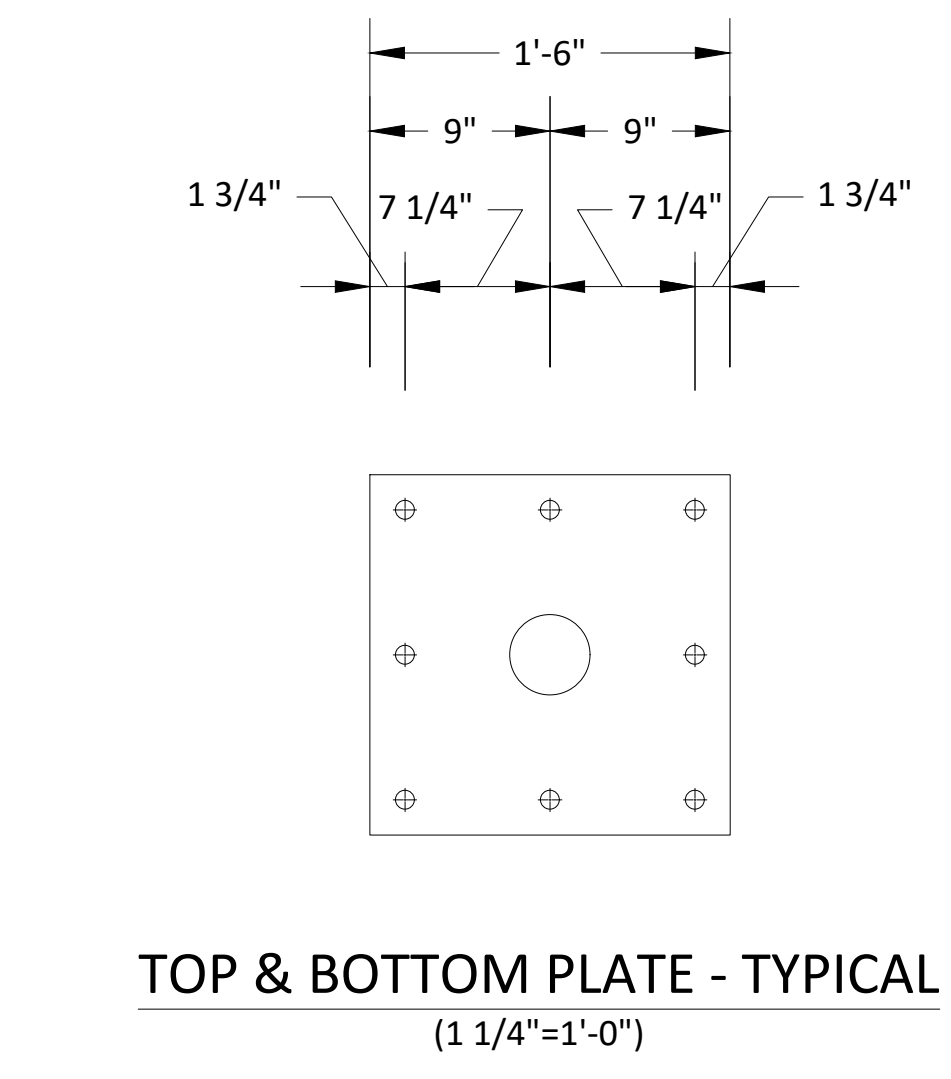


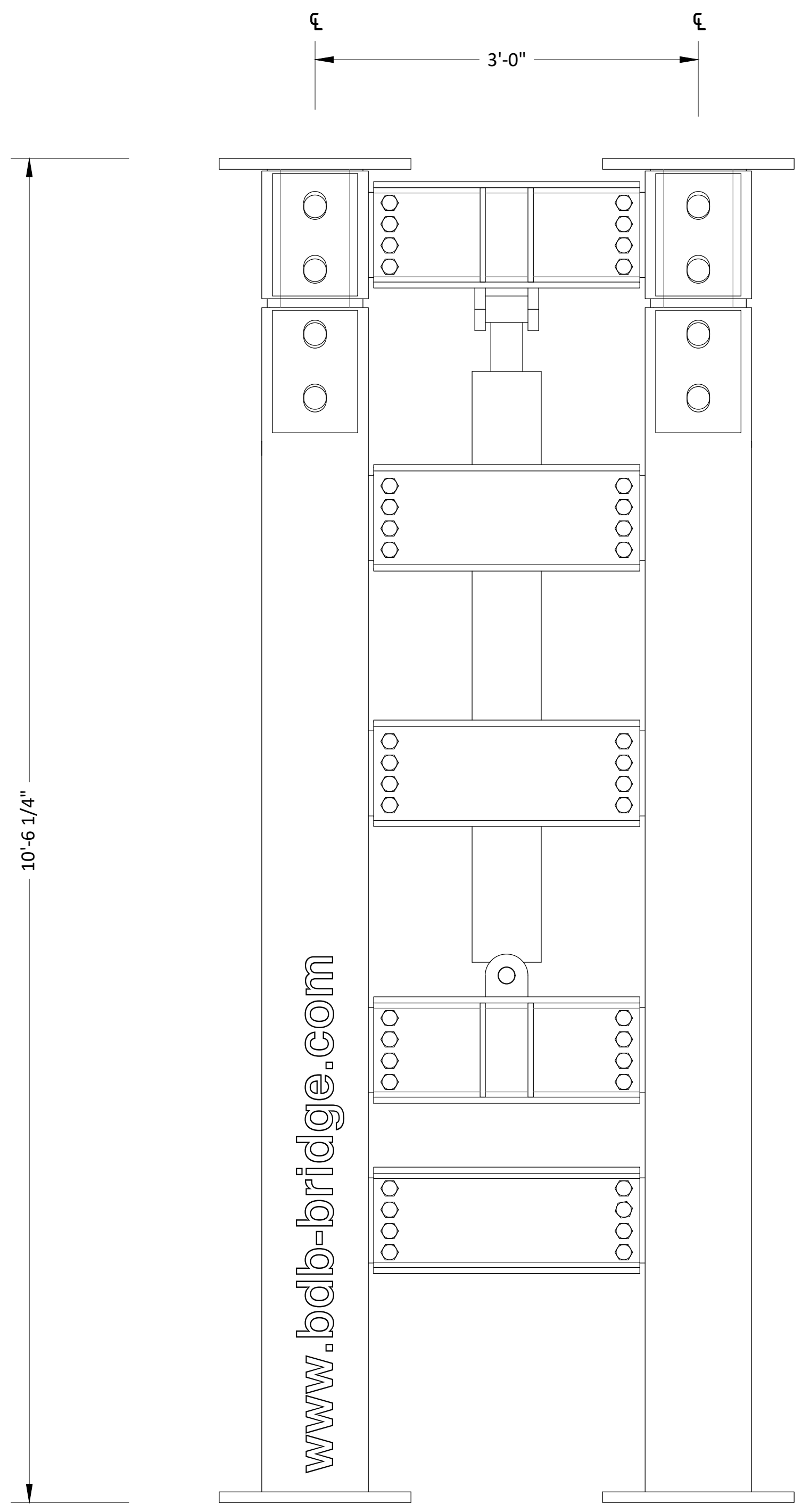
**HYDRA TOWER 1000
ELEVATION - EXTENDED**
(1 1/4"=1'-0")



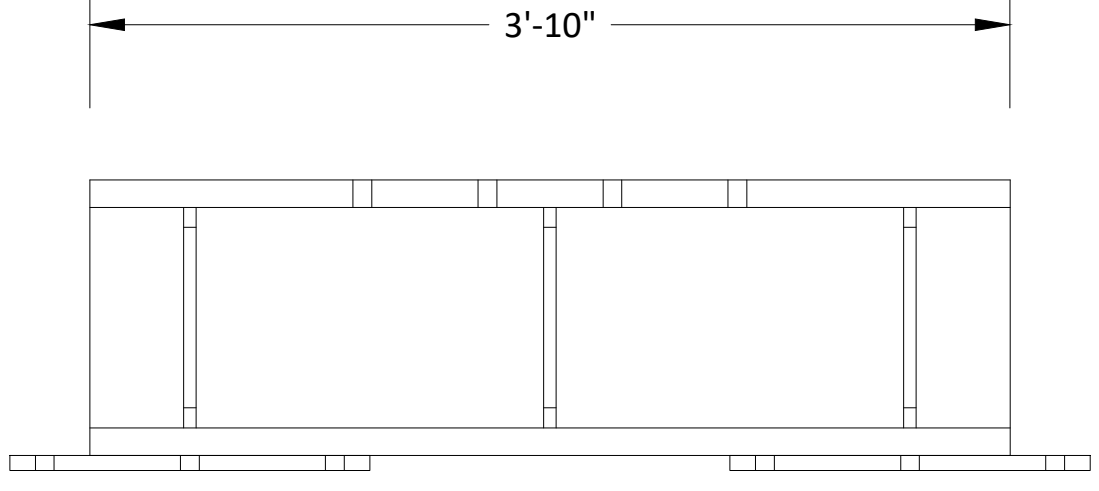
PRIMARY HEADER - W12x152
(1 1/4"=1'-0")



TOP & BOTTOM PLATE - TYPICAL
(1 1/4"=1'-0")



**HYDRA TOWER 1000
ELEVATION - COLLAPSED**
(1 1/4"=1'-0")



SECONDARY HEADER - W12x152
(1 1/4"=1'-0")

NOTES:
 1. DIMENSIONS TYPICAL ALL SIDES
 2. ALL TOWER MODULES AND HEADERS SHOWN ARE MANUFACTURED BY:
 BDB BRIDGE LLC
 587 GREMAR RD.
 NAZARETH, PA 18064
 TELE: (470) 236-9464
 www.bdb-bridge.com

BDB BRIDGE LLC
HYDRA TOWER 1000

DWN BY:	JOB NO.:	CONTRACT NO.:	DATE:	STRUCTURE:
SCALE:	CONTRACTOR:	REV.	DWG NO.:	

Index	Description	Author	Date