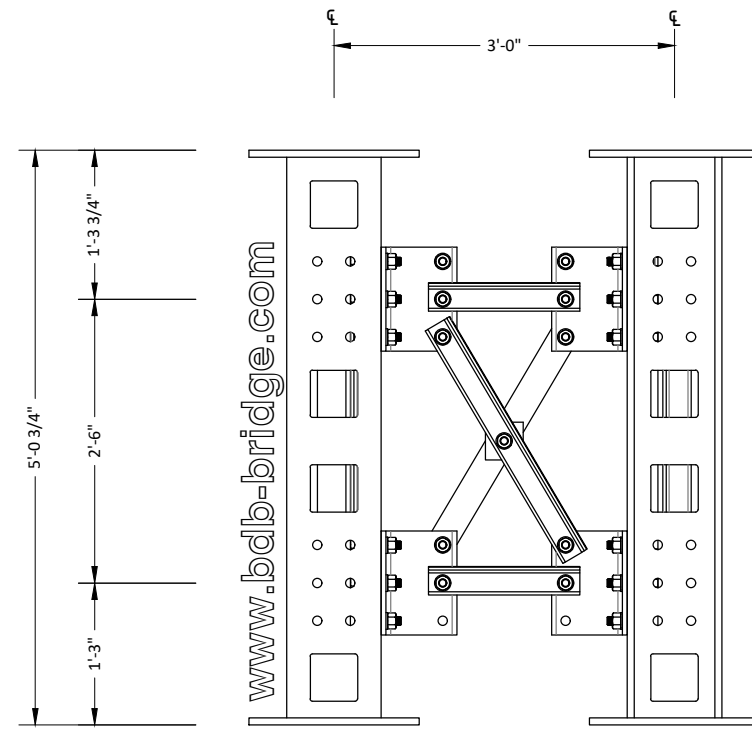
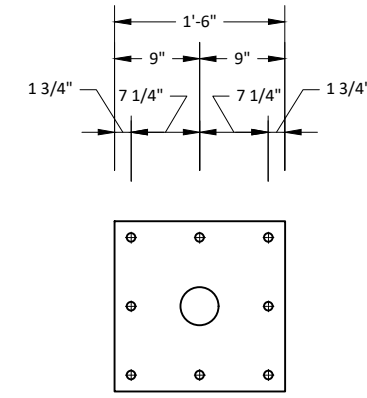


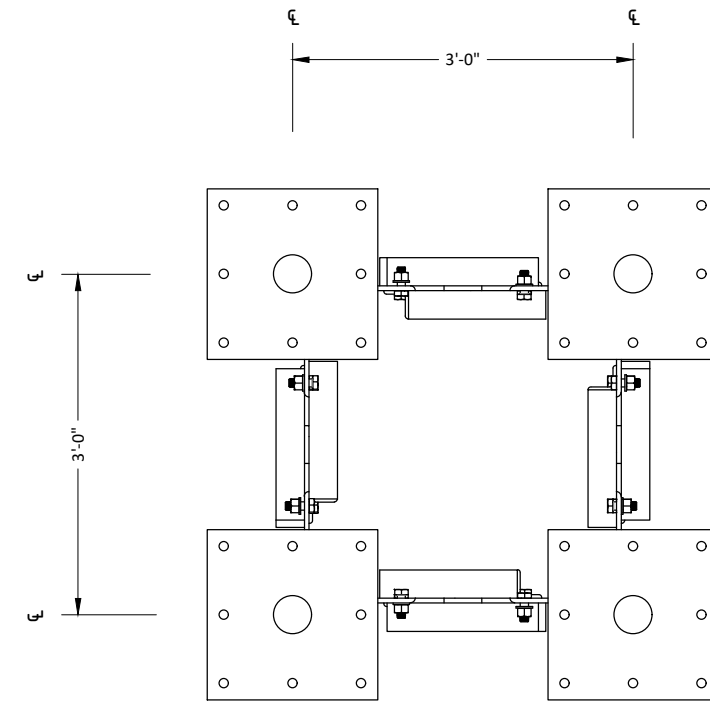
**10'-0" STATIC 600 TOWER  
ELEVATION**  
(1 1/4"=1'-0")



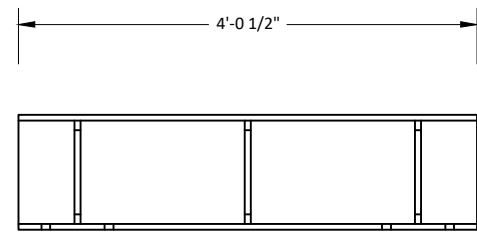
**5'-0" STATIC 600 TOWER  
ELEVATION**  
(1 1/4"=1'-0")



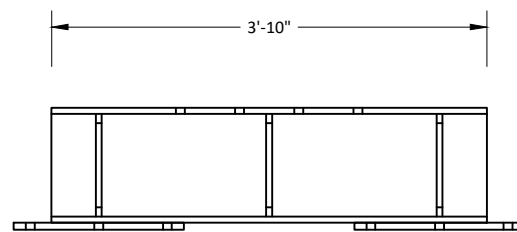
**TOP & BOTTOM PLATE - TYPICAL**  
(1 1/4"=1'-0")



**STATIC 600 TOWER  
PLAN VIEW**  
(1 1/4"=1'-0")



**PRIMARY HEADER - HP12x74**  
(1 1/4"=1'-0")



**SECONDARY HEADER - HP12x74**  
(1 1/4"=1'-0")

- NOTES:**
1. DIMENSIONS TYPICAL ALL SIDES
  2. ALL TOWER MODULES AND HEADERS SHOWN ARE MANUFACTURED BY:

BDB BRIDGE LLC  
587 GREMAR RD.  
NAZARETH, PA 18064  
TELE: (470) 236-9464  
www.bdb-bridge.com



BDB BRIDGE LLC  
**STATIC 600 TOWER**

603 GREMAR RD.  
NAZARETH, PA 18064  
470.236.9464

REV	DESCRIPTION	BY	DATE

DWG NO:	JOB NO.:	CONTRACT:	DWG DATE:	STRUCTURE:
SCALE:	CONTRACTOR:	REV:	DWG NO.:	